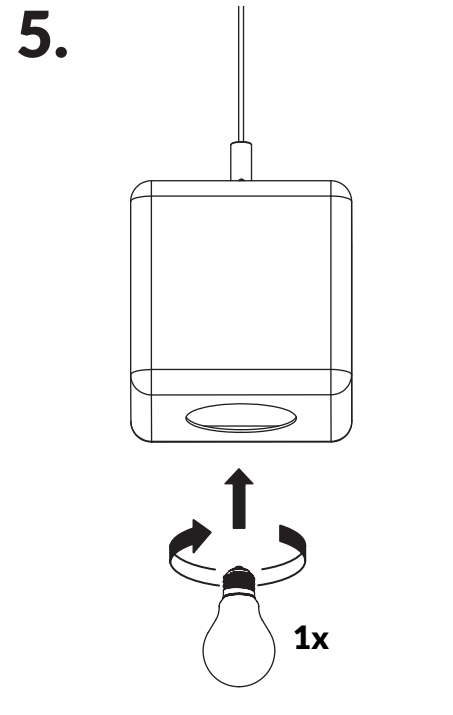
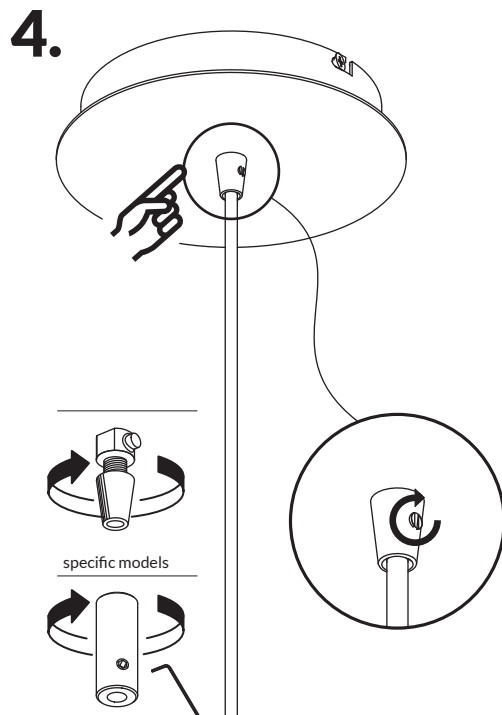
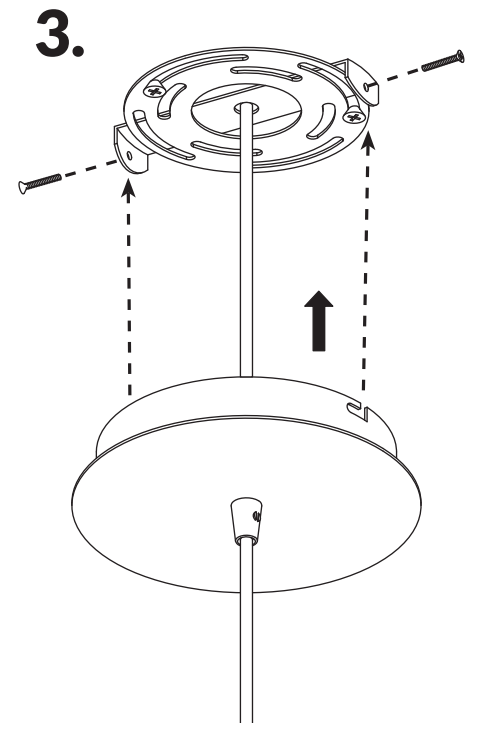
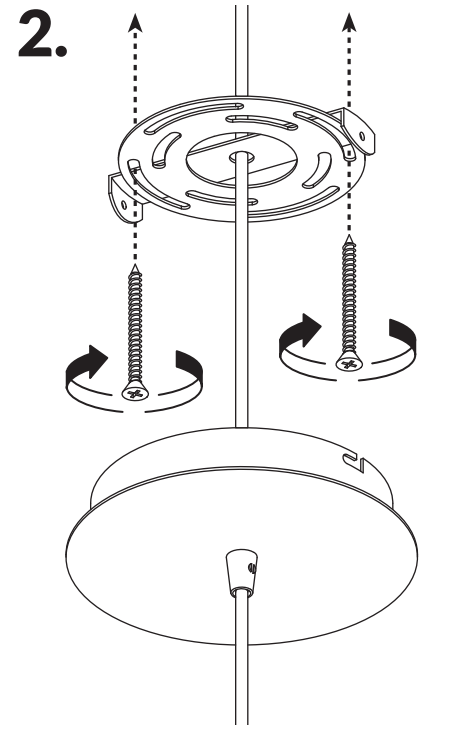
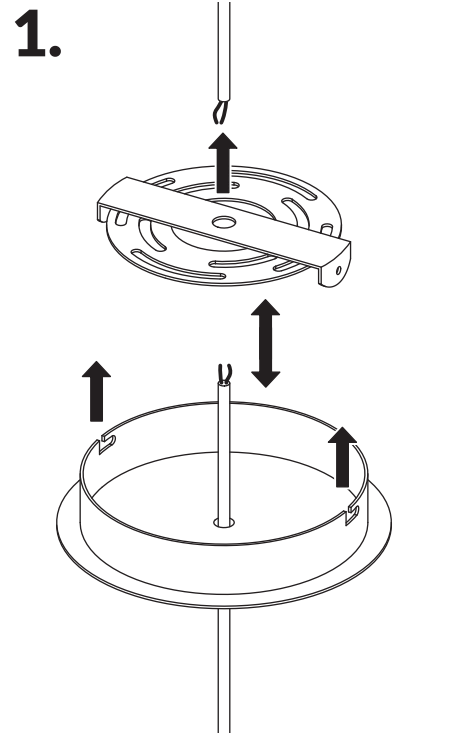


H2O

INSTALLATION MANUAL

E26 / E27 (120V/220V)
 SM
 Incandescent 40W max
 GM
 Incandescent 60W max



IMPORTANT

Always shut off power to the circuit before starting installation work.



All products are manufactured to meet or exceed North American standards C22-250, UL 1598, C22.2-12, C22.2.9, UL 153.

All preparation for installation of fixture is to be provided by the end user.

The description and measurements on this drawing are for information purposes only.

VISO inc // © 2014 // All rights reserved