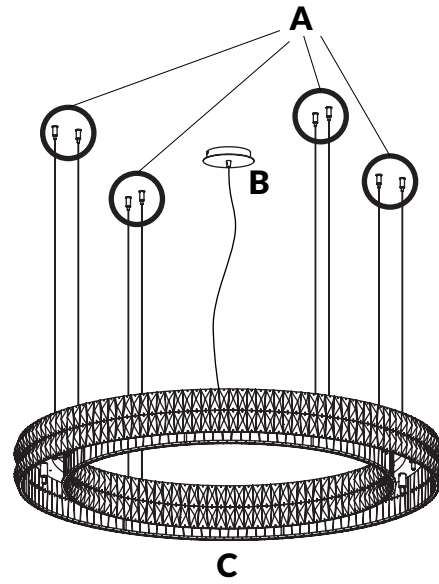


GIA ROUND

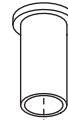
INSTALLATION MANUAL

G9 (120V/220V)
 SM
 6x G9 25W max
 MM
 10x G9 25W max
 GM
 12x G9 25W max



A - Stel cable
 B - Canopy
 C - Bulb

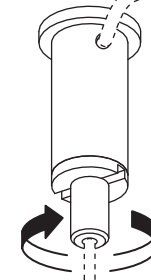
A1.



8x

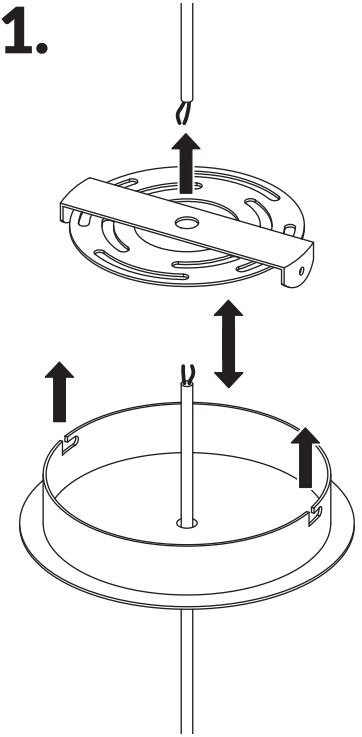


A2.

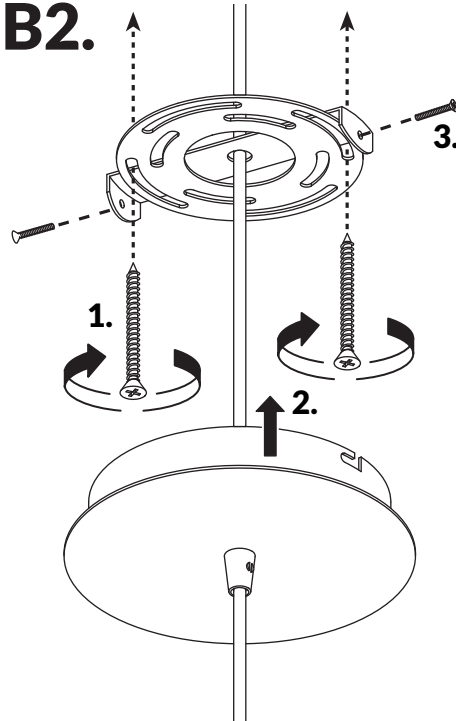


8x

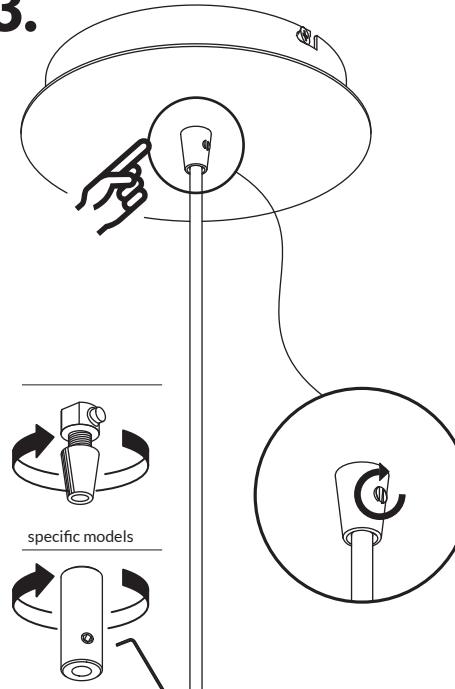
B1.



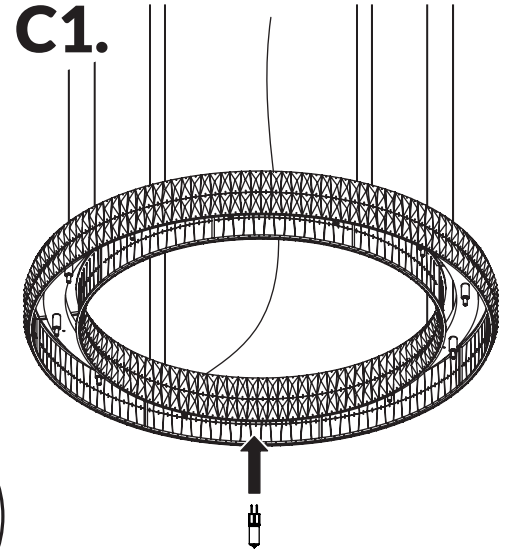
B2.



B3.



C1.



SM MODEL **6x** G9 25W max
 MM MODEL **10x** G9 25W max
 GM MODEL **12x** G9 25W max



IMPORTANT

Always shut off power to the circuit before starting installation work.



All products are manufactured to meet or exceed North American standards C22-250, UL 1598, C22.2-12, C22.2.9, UL 153.

All preparation for installation of fixture is to be provided by the end user.

The description and measurements on this drawing are for information purposes only.

VISO inc // © 2014 // All rights reserved